



NOUVAG⁺

+ SOLUTIONS: MANUFACTURED IN SWITZERLAND +

Skin Grafting

nouvag.com





Swiss Precision for Perfect Skin Grafting: The NOUVAG Dermatome

When it comes to skin grafting, the NOUVAG Dermatome in combination with its powerful motor system is a well-known and reliable choice. It stands out for its user-friendliness, enabling an extremely precise cut of the skin graft with an adjustable depth ranging from 0.05 to 1 mm. The adjustment wheel provides fine increments for precise cutting, while the blade replacement can be done without tools.



REF 1990nou
Dermatom 75 mm

REF 1983nou
Dermatom 100 mm

TCM 3000 BL: The Motor System for Reconstructive Surgery

With its user-friendly operation, this device has become a coveted and reliable companion in numerous clinics and operating rooms. Its versatile applications ensure that this device never stops. The proven NOUVAG quality, manufactured in Switzerland, represents top performance and long-lasting reliability – even after many years. The TCM 3000 BL is a compact and practical motor system for drilling, sawing, grinding, and even skin grafting with dermatomes.

HIGHLIGHTS

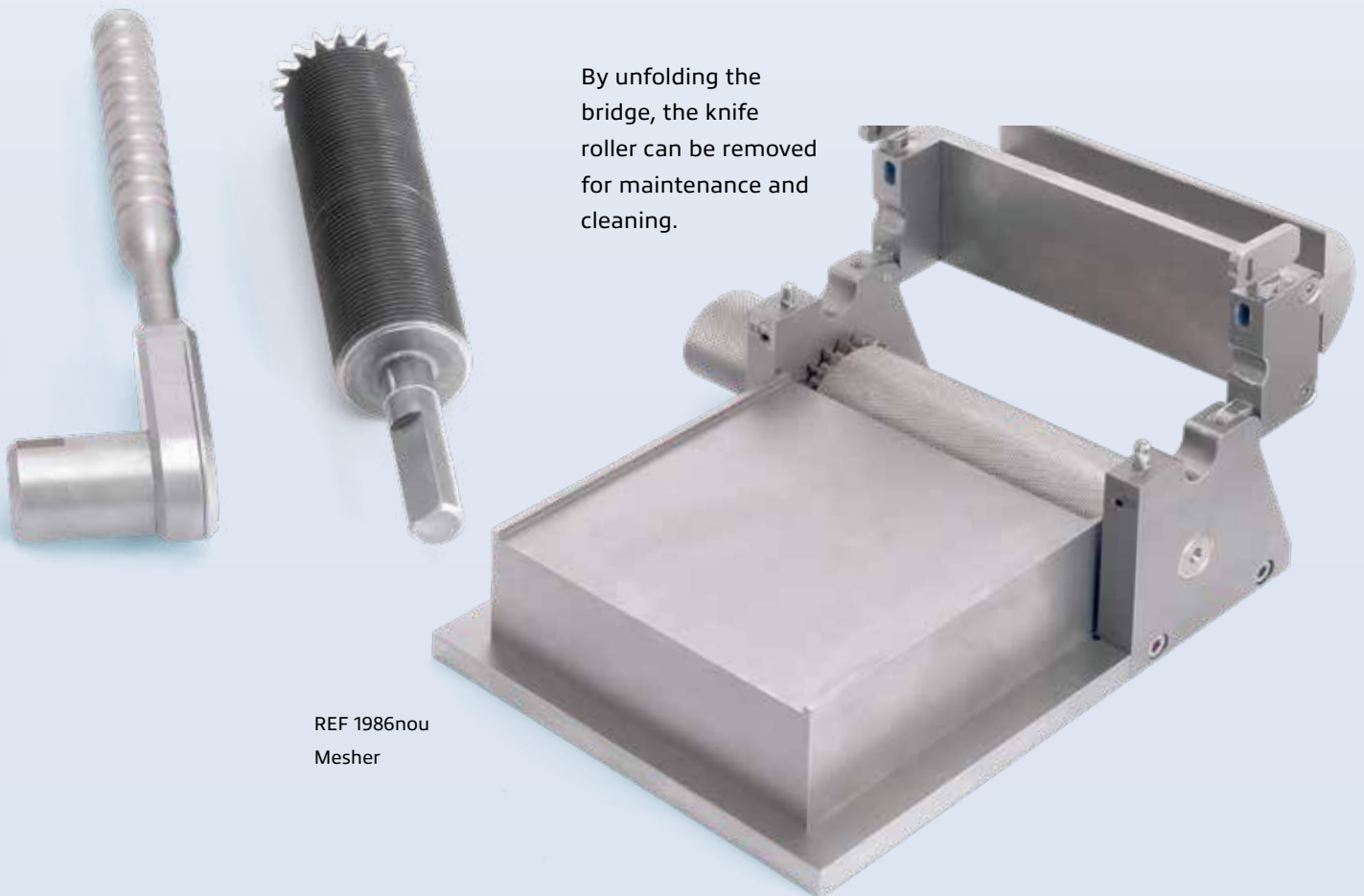
- + Scalable application
- + Reliable, robust, and durable
- + Simple and intuitive
- + Motor speed up to 40,000 rpm
- + Maximum torque of 7.5 Ncm

REF 3285
TCM 3000 BL



NOUVAG Skin Expansion System

The skin grafts obtained with the dermatome are spread out on a suitable skin carrier plate and fed through a pair of rollers with blades and a pressure roller using the mesher. The resulting perforation of the skin graft allows for width expansion according to the specifications of the mesher board used. This increase in surface area of the skin graft eliminates the need for further skin removal, benefiting the patient. The open spaces between the transplanted skin sections are built up during the healing process.



By unfolding the bridge, the knife roller can be removed for maintenance and cleaning.

REF 1986nou
Mesher

NOUVAG Replacement Blades and Base-Plates for Dermatome

REPLACEMENT BLADES

REF 1995

for Dermatome 75 mm, PU 10 pcs.

REF 1919

for Dermatome 100 mm, PU 10 pcs.



BASEPLATES

REF 19876

for Dermatome 100 mm
cutting width of 100 mm

REF 19872

for Dermatome 100 mm
to reduce the cutting width to 75 mm

REF 19871

for Dermatome 100 mm
to reduce the cutting width to 50 mm

REF 19869

for Dermatome 100 mm
to reduce the cutting width to 25 mm

REF 19889

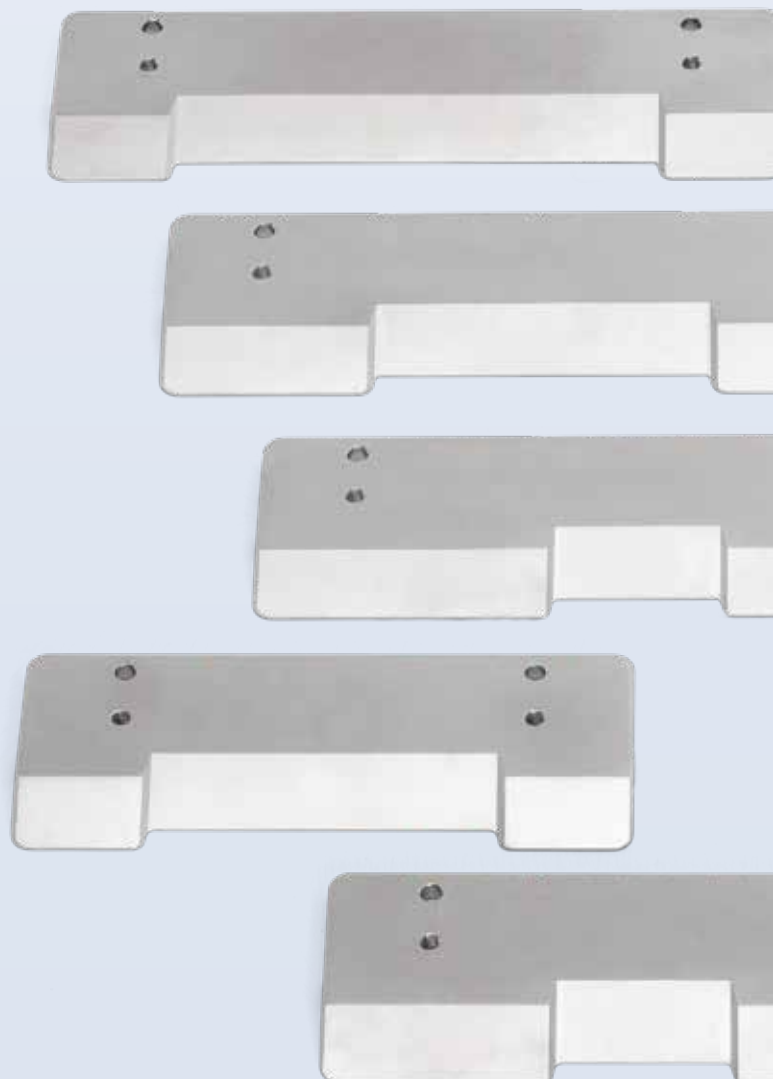
for Dermatome 75 mm
cutting width of 75 mm

REF 19887

for Dermatome 75 mm
to reduce the cutting width to 50 mm

REF 19886

for Dermatome 75 mm
to reduce the cutting width to 25 mm



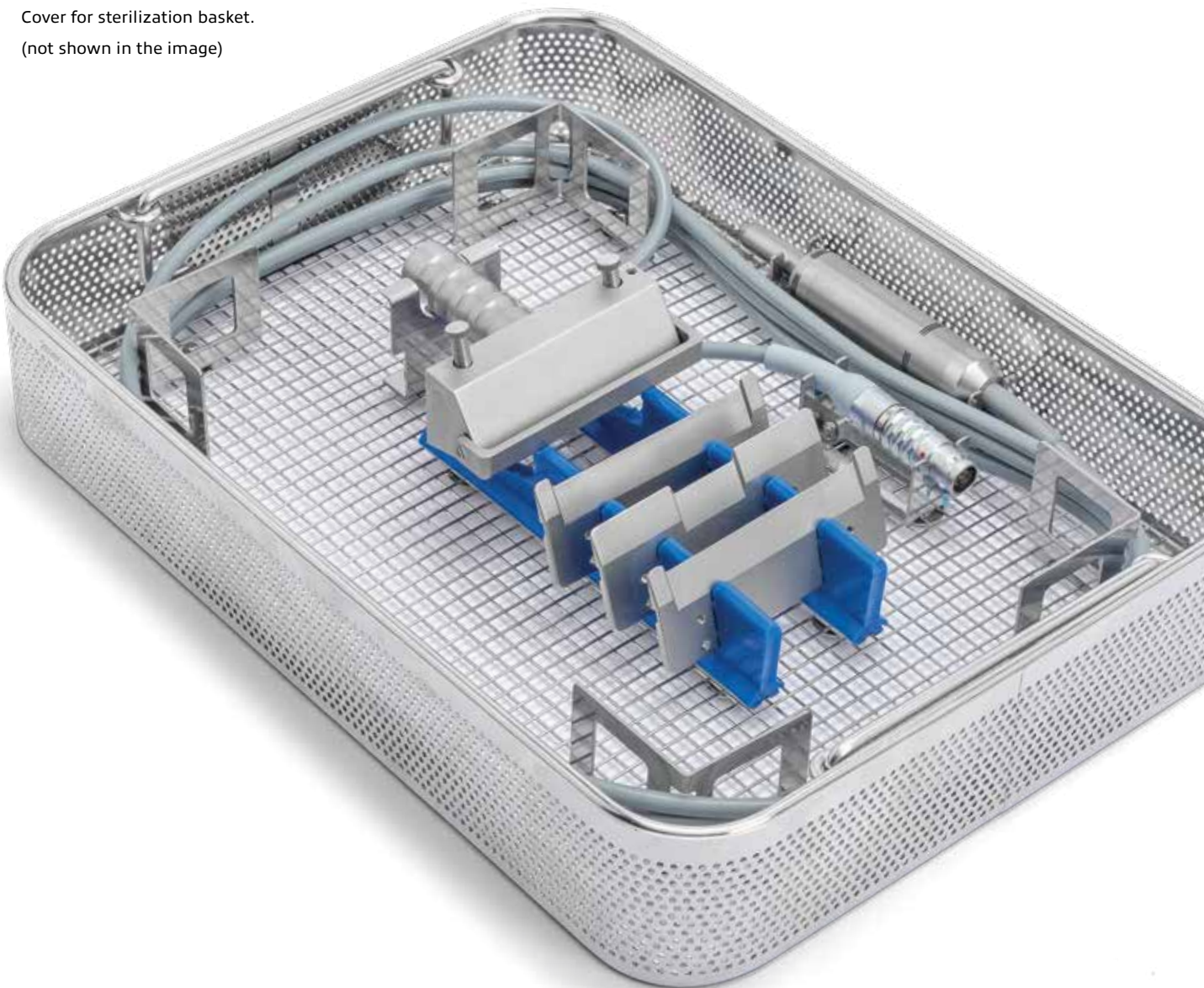
Accessories: Sterilization and Storage

REF 4131

Sterilization and storage basket for your dermatome system.
Holder for the dermatome handpiece, electronic motor
including cable, and reduction plates.

REF 4133

Cover for sterilization basket.
(not shown in the image)



Technical Data

TCM 3000 BL	REF 3285
Voltage, switchable	100 V~ / 115 V~ / 230 V~ 50–60 Hz
Power consumption	60 VA
Power supply fuse	2 x T 1 AL, 250 V AC
Motor speed range	500 – 40,000 U/min
Max. Torque	7.5 Ncm
Motor Coupling	INTRA, ISO 3964
Weight	1.8 kg
Dimensions (W x D x H)	120 x 180 x 110 mm
Foot switch IP Code	IPX8

Dermatome	REF 1990nou 1983nou
Coupling	INTRA, ISO 3964
Max. speed	14,000 rpm
Cutting width	75 100 mm
Cutting depth	0.05–1.00 mm
Max. torque	6 Ncm
Weight	570 g 710 g

Electronicmotor 21	REF 2112nou
Rated speed	40,000 rpm
Max. motor torque	7.5 Ncm
Coupling	INTRA, ISO 3964
Weight, with cable	340 g
Cable length	2,9 m

Mesher	REF 1986nou
Weight	4.9 kg
Dimensions (W x D x H)	210 x 195 x 110 mm

+ **NOUVAG AG**
St. Gallerstrasse 25
9403 Goldach
Switzerland
T + 41 (0) 71 846 66 00
info@novag.com

+ **NOUVAG GmbH**
Schulthaißstrasse 15
78462 Konstanz
Germany
T +49 (0) 7531 1290-0
F +49 (0) 7531 1290-12
info-de@novag.com

NOUVAG⁺